



V 1.2

Smart SV-04B Injector Valve Manual

南京润泽流体控制设备有限公司
NANJING RUNZE FLUID CONTROL EQUIPMENT CO.,LTD

Thank you very much for choosing our product, please read and keep this manual carefully before use

Table of Contents

Chapter1 Getting Started.....	3
1.1 Company Profile	3
Chapter2 Product Introduction.....	4
2.1 Product Features.....	4
2.2 Naming Rules.....	5
2.3 Product Specification.....	5
2.4 Internal Structure.....	6
2.5 Dimension (unit: mm).....	6
2.6 Technical Parameters.....	7
2.7 Flow configuration.....	8
2.8 Port Definition.....	8
Chapter3 Description of Control Code.....	9
3.1 Overview.....	9
3.2 Installation and Debugging.....	9
3.3 Code Instructions.....	9
3.3.1 Control Command Format.....	9
3.3.2 Command Format Instructions.....	10
3.4 SV04B CE Certification Recommended Circuit Diagram in Application.....	16
3.4.1 Schematic Diagram of Surge Protector.....	16
3.4.2 The Wiring Diagram of Surge Protector & SV04B.....	16
Chapter4 Common Problems & Solutions.....	17
Chapter 5 Technical Service.....	错误！未定义书签。

Chapter1 Getting Started

1.1 Company Profile

Nanjing Runze Fluid Control Equipment Co., Ltd. was established in 2014, We are a national high-tech enterprise focusing on R&D and production of fluid accessories for numerous analytical instruments. We engineer, manufacture and market differentiated standard products such as syringe pumps, multiport valves, peristaltic pumps, gastight syringes, plastic fittings, etc.. We persevere in providing our customers with best quality and service in the fields of environmental monitoring, biopharmaceuticals, medical equipment, industrial automation and laboratory instruments, etc.

RUNZE attracted experienced talents with strong capability on integrating software and hard-ware at electronic research, mechanical design, mold manufacturing. In past years, we have accumulated rich technical and practical experience that bring us honors of ISO9001, National High-tech Enterprise, Jiangsu Province Private Science and Technology Enterprise, 5A Bank Credit Assessment, 38 technical patents and multiple software copyright including 8 invention patents, 17 utility model patents, 13 design patents.

RUNZE Technology Center has a reliable EMC laboratory and a series of advanced processing equipment and testing instruments, such as imported white light interferometer, Keens plane rapid detector, five-axis machining center, high-precision nano-grinding machine, etc., Continuous and substantial investment in research and development, which enabled the company to obtain a huge advantage in the manufacture and sales of analytical instrument accessories.

Chapter2 Product Introduction

2.1 Product Features

(1) **Name:** The injector valve is an electric injector valve independently developed by RUNZE Fluid Control Equipment Co., Ltd., also known as electric rotary valve;

(2) **Control:** By receiving instructions from the host computer to control the operation of the stepper motor to make the rotor turn to the specified port position to achieve the switching of the flow path. Serial communication protocol supports RS232/RS485/CAN bus.

(3) **Corrosion Resistance:** This type of injector valve adopts sapphire valve core, which can be applied to various corrosive liquids. The valve head are made of PCTFE (polychlorotrifluoroethylene) and PPS, maintenance-free;

(4) **Valve Core Structure:** The valve core adopts a multi-directional self-adaptive plane fitting method, which can extend the service life of the product effectively. (This structure has been applied for utility patent, patent number: CN204852471U)

(5) **Motive power:** The rotation of the valve body adopts the imported NMB planetary gearbox motor as the power plant, which is extremely reliable.

(6) **Orientation:** The valve hole is oriented by optical encoder, which can effectively solve the problem of inaccurate positioning after the gearbox is worn down.

(7) **Driver:** The two-phase bipolar stepper drive module is a constant current drive chip, which can control the motor current with high efficiency. It has a built-in error detection circuit and error detection (TSD/ISD) signal output function;

(8) **Control Unit Interface:** XH terminal with 2.54mm pitch

(9) **Mechanical Interface:** 1/4-28UNF internal thread

(10) **Usage:** Widely used in the collection and distribution of fluid samples

(11) **Application:** Environmental testing devices, experimental analysis instruments, medical analyzers, chromatographic instruments, etc. Before using the injector valve, please read the "Instruction Manual" carefully and follow the provisions in it.

2.2 Naming Rules

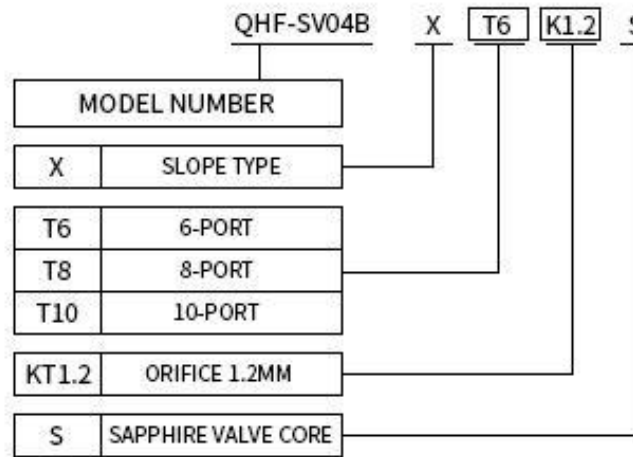


Figure 2-2

Example: Slope type 10-channel sapphire injector valve, naming: QHF-SV04B-X -T10-K1.2-S

2.3 Product Specification

Smart SV-04B injector valves can be divided into 6 ports, 8 ports, and 10 ports according to the number of channels, as shown in the figure below:

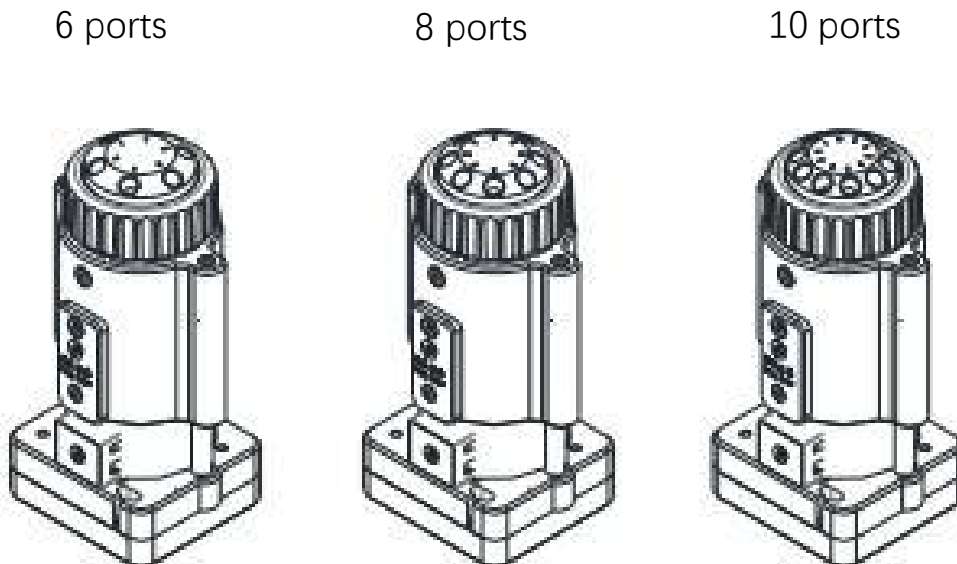


Figure 2-3

2.4 Internal Structure

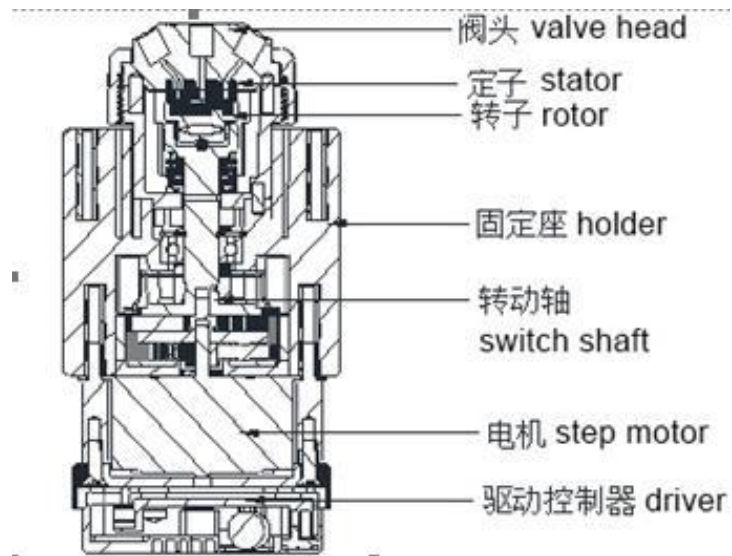


Figure 2-4

2.5 Dimension (unit: mm)

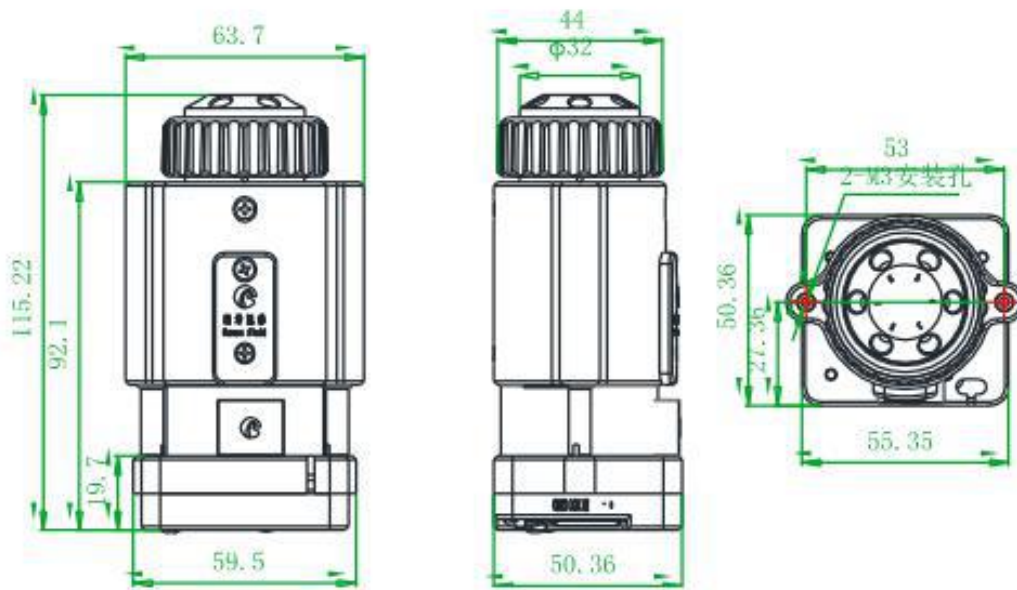


Figure 2-5

Note: 6 ports/8ports/10ports valve share the same dimension.

2.6 Technical Parameters

Description		Parameter		
Configuration	6 port	8port	10port	
Orifice	1.2mm			
Wetted material	PCTFE valve head, Sapphire rotor/stator			
Dead volume (Port to Port)	28.121 μ L	28.67 μ L	28.129 μ L	
Dead volume (Sealed rotor)	5.207 μ L	5.756 μ L	5.215 μ L	
Pressure rating	0-0.3Mpa (air) / 0-0.6Mpa (water)			
Origin detection	Auto reset to initial position when powered on (this function can be opened or closed)			
Liquid temperature	0-150C°			
Connection	1/4-28UNF			
Replaceable parts	Stator replaceable, sealed rotor irreplaceable			
Transposition	Random start to any specific port			
Driver	Non-optional			
Valve switching time	\leq 4s/circle			
Max. torque	4N/m			
Communication	RS232/RS485/CAN			
Baud rate	RS232/RS485: 9600bps, 19200bps, 38400bps, 57600bps, 115200bps CAN: 100Kbps, 200Kbps, 500Kbps, 1Mbps			
Address & Parameter setting	Via communication			
Power supply	DC24V/1A			
Max. power	24W			
Operating temperature	0C°-50C°			
Operating humidity	<80% relative humidity, non-condensing			
Dimension (L*W*H)	63.7*50.4*115.2mm			
Net weigh	0.437kg			

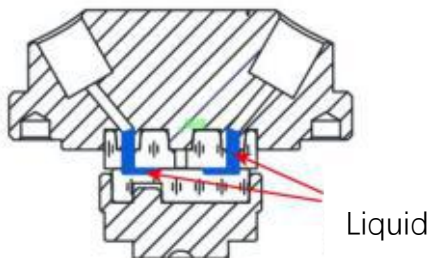


Figure 2-6-1 Dead volume (Port to Port)



Figure 2-6-2 Dead volume (Sealed rotor)

2.7 Flow configuration

Center port is the public port, valve can switch to any specific port by programmable control via RS232/RS485/CAN communication. Flow configuration is shown as below:

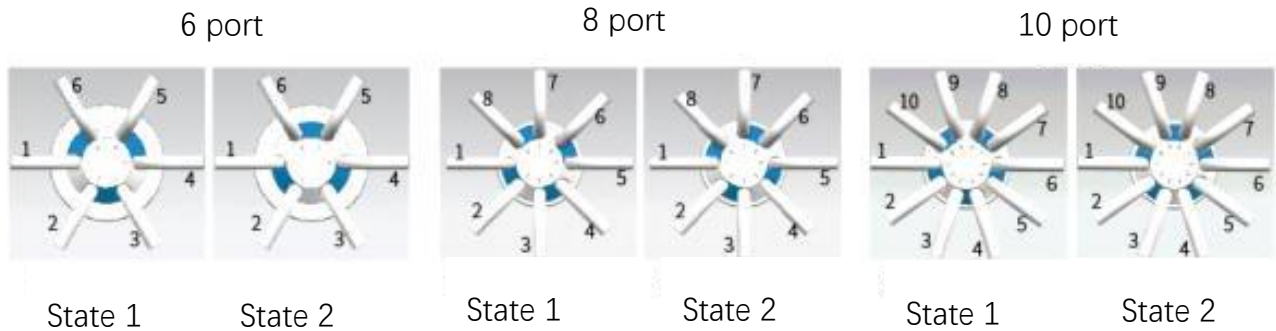
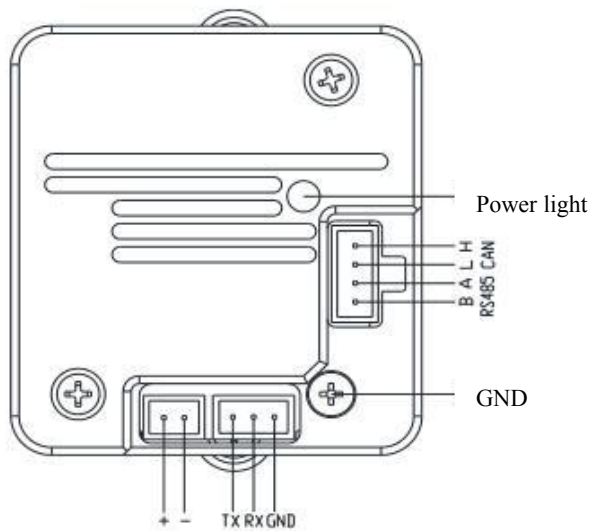


Figure 2-7

SV-04B Reset direction: CCW (Unchangeable)

SV-04B Reset position: State 1(as shown in Figure 2-7)

2.8 Port Definition



Port	Description	Port	Description
+	DC24V positive	H	CANH
-	DC24V negative	L	CANL
TX	RS232 TX	A	RS485 A
RX	RS232 RX	B	RS485 B
GND	GND		

Figure 2-8 Port Definition of Driver Board

Chapter3 Description of Control Code

3.1 Overview

The data transmission between the injector valve and the host device (computer, single-chip computer, PLC, etc.) adopts serial communication (eg: RS-232/RS-485/CAN bus), the following describes the communication format: the communication adopts asynchronous serial communication, Commands and data frames use sum check, and the sum check is two bytes (2Byte). Commands and data in communication are in hexadecimal number, parameters are stored in little-endian mode.

Other instructions:

Communication interface: RS-232, RS-485, CAN bus;

Communication mode: two-way asynchronous, master-slave mode;

Baud rate:RS-232/RS-485: 9600bps, 19200bps, 38400bps, 57600bps, 115200bps;

CAN: 100Kbps, 200Kbps, 500Kbps, 1Mbps;

Data bits: 8 bits;

Parity: none check.

Response time <1 second after receiving the command.

3.2 Installation and Debugging

(1) Installation and debugging tools, see 《Instructions for Debugging Tools》 for details

(2) Instructions for use, see 《Smart SV-04B Quick Use Guide》 for details

3.3 Code Instructions

3.3.1 Control Command Format

a: Valve parameter setting command (factory command)

b: Valve parameter query command (common command)

c: Valve action command (common command)

Figure3-3-1 Send Command (common command)

Interpretation of 0xXX: 0x means hexadecimal, XX is a two-digit hexadecimal number. The value inputted into the software all should be XX.

The message frame of "Send Command" is 8 bytes, and the complete format is as follows:

Start code	Address code	Function code	Parameters		End code	Sum check	
B0	B1	B2	B3	B4	B5	B6	B7
STX	ADDR	FUNC	1-8 bit	9-16 bit	ETX	Low byte	High byte

1st byte "STX" = Start code (0XCC)

2nd byte "ADDR" = Address of slave device (0x00~0x7F)

Multicast Address (0x80~0xFE) Broadcast Address (0xFF)

3rd byte "FUNC" = Function code

4th and 5th byte = Parameters of function code

6th byte ETX= End code (0xDD)

7th and 8th byte = Sum check code from byte 1 to 6

Note: The above command format refers to the common command. In particular, if a password bit is added to the factory command and the parameter bit has also changed, from the original 2 bytes to 4 bytes, the command format is as follows:

The message frame of "Factory Command" is 14 bytes, and the complete format is as follows:

Figure3-3-2 Send Command (Factory Command)

Start code	Address code	Function code	Password	Parameters				End code	Sum check	
B0	B1	B2	B3.B4.B5.B6	B7	B8	B9	B10	B11	B12	B13
STX	ADDR	FUNC	PWD	1-8 bit	9-16 bit	17-24 bit	25-32 bit	ETX	Low byte	High byte

Figure3-3-3 Response Command

Start code	Address code	Status code	Parameters		End code	Sum check	
B0	B1	B2	B3	B4	B5	B6	B7
STX	ADDR	STATUS	1-8 bit	9-16 bit	ETX	Low byte	High byte

Note: The send command & response command format for the common commands are the same, and all the response command message frames are 8 bytes.

3.3.2 Command Format Instructions

Definition of Start Code & End Code B0, B5(B11)

Item	Code	Remark
Start code B0	0XCC	
End code B5 (B11)	0xDD	

Note: The send command & response command of the common command are the same. The start and the end code are B0 and B5 respectively. The factory command is B11.

Definition of Address Bit B1:

Item	Instruction	Code B1	Remark
Address Bit	Address	0xXX	

Note: 1. The send command is the same as the response command

2 The XX in "0xXX" means that it can be set, the factory default is 0x00, and the parameter value range is 0x00 ~ 0x7F.

Figure3-3-4 Control Command Instructions(B2~B10)

a: Valve parameter setting command (factory command) (B2~B10)

Command Code B2	Command Instruction	Code (B3, B4, B5, B6)	Parameters Instructions (B7, B8, B9, B10)
0x00	Set address	B3=0xFF B4=0xEE B5=0xBB B6=0xAA	B7=0xXX (B8=0x00 B9=0x00 B10=0x00) The value range of XX is 00 ~ 7F in V1.9 & above version, 00 ~ FF in version below V1.9, default value is 00
0x01	Set RS232 Baud rate	B3=0xFF B4=0xEE B5=0xBB B6=0xAA	Totally 5 baud rates: the factory default is 9600bps (B8=0x00 B9=0x00 B10=0x00) B7=0x00 corresponds to a baud rate of 9600bps B7=0x01 corresponds to a baud rate of 19200bps B7=0x02 corresponds to a baud rate of 38400bps B7=0x03 corresponds to a baud rate of 57600bps B7=0x04 corresponds to a baud rate of 115200bps
0x02	Set RS485 Baud rate	B3=0xFF B4=0xEE B5=0xBB B6=0xAA	Totally 4 baud rates: the factory default is 100K (B8=0x00 B9=0x00 B10=0x00) B7=0x00 corresponds to a baud rate of 100Kbps B7=0x01 corresponds to a baud rate of 200Kbps B7=0x02 corresponds to a baud rate of 500Kbps B7=0x03 corresponds to a baud rate of 1Mbps
0x03	Set CAN Baud rate	B3=0xFF B4=0xEE B5=0xBB B6=0xAA	Totally 4 baud rates: the factory default is 100K (B8=0x00 B9=0x00 B10=0x00) B7=0x00 corresponds to a baud rate of 100Kbps B7=0x01 corresponds to a baud rate of 200Kbps B7=0x02 corresponds to a baud rate of 500Kbps B7=0x03 corresponds to a baud rate of 1Mbps
0xDE	Set automatic reset when power-on	B3=0xFF B4=0xEE B5=0xBB B6=0xAA	B7=0x00 means non-automatic reset B7=0x01 means automatic reset Automatically reset to state 2 after power-on (the factory default of injector valve is automatic reset)
0x10	Set CAN destination address	B3=0xFF B4=0xEE B5=0xBB B6=0xAA	B7=0xXX (B8=0x00 B9=0x00 B10=0x00) The value range of XX is 00 ~ FF, and the default is 00

0x50	Set address of multicast channel 1	B3=0xFF B4=0xEE B5=0xBB B6=0xAA	B7=0xXX (B8=0x00 B9=0x00 B10=0x00) The value range of XX is 80 ~ FE, and the default is 00
0x51	Set address of multicast channel 2	B3=0xFF B4=0xEE B5=0xBB B6=0xAA	B7=0xXX (B8=0x00 B9=0x00 B10=0x00) The value range of XX is 80 ~ FE, and the default is 00
0x52	Set address of multicast channel 3	B3=0xFF B4=0xEE B5=0xBB B6=0xAA	B7=0xXX (B8=0x00 B9=0x00 B10=0x00) The value range of XX is 80 ~ FE, and the default is 00
0x53	Set address of multicast channel 4	B3=0xFF B4=0xEE B5=0xBB B6=0xAA	B7=0xXX (B8=0x00 B9=0x00 B10=0x00) The value range of XX is 80 ~ FE, and the default is 00
0xFC	Parameter lock	B3=0xFF B4=0xEE B5=0xBB B6=0xAA	All the parameters are 0x00
0xFF	Restore factory settings	B3=0xFF B4=0xEE B5=0xBB B6=0xAA	All the parameters are 0x00

Example: Use the 0x50/51/52/53 command to set the multicast address (only uses 0x50/51/52 three commands in this example)

Use three sets of SV04B injector valves with the same software version. In the RS485 communication mode, set their addresses to 00, 01, 02 and make a mark. Firstly, Set parameter 0x81 of SV04B multicast channel 1 address marked as 00 to 81 by the command 0x50, set parameter 0x81 of multicast channel 2 address to 81 by command 0x51; Set parameter 0x82 of the multicast channel 1 address of SV04B marked as 01 to 82 by command 0x51, and the parameter 0x82 of multicast channel 2 address is set to 82 by command 0x52. Set parameter 0x83 of the multicast channel 1 address of SV04B marked as 00 to 83 by command 0x50, and the parameter 0x83 of multicast channel 3 address to 83 by command 0x52 (See the table below for details)

Item \ Device	Device1 (address 0)	Device2 (address 1)	Device3 (address 2)
Multicast address	81(2)	81(2)	
Broadcast address	FF(1)	FF(1)	FF(1)
Multicast address		82(2)	82(2)
Broadcast address	FF(1)	FF(1)	FF(1)
Multicast address	83(2)		83(2)

After the setting is completed, connect the three devices in parallel to the serial debugging tool, and use our debugging tool MotorTest V0.8 for debugging. In MotorTest V0.8, set the address to 0x81,

the command to 0x44 and the parameter to 0x02, click to send and then the device 1 and device 2 will have port switching action; Set the address to 0xFF, the command to 0x44 and the parameter to 0x01, click to send and then the device 1, 2, 3 will all have port switching action; Set the address to 0x82, the command to 0x44, and the parameter to 0x02, click send and then the device 2 and device 3 will have port switching action; Set the address to 0xFF, the command to 0x44, and the parameter to 0x01, click to send and then the device 1, 2, 3 will all have port switching action; Set the address to 0x83, the command to 0x44, and the parameter to 0x02, click to send and then the device 1 and device 3 will have port switching action;

The newly added command to set the multicast address greatly meets the needs of customer groups, making it easier and more convenient for customers. You can choose the device you want to control so that you can complete your work more efficiently and quickly during usage.

b: Valve parameter query command (common command) (B2~B4)

Command Code B2	Command Instruction	Response Parameter (B3, B4)
0x20	Query Address	B3=0x00 B4=0x00
0x21	Query RS232 baud rate	B3=0x00 B4=0x00
0x22	Query RS485 baud rate	B3=0x00 B4=0x00
0x23	Query CAN baud rate	B3=0x00 B4=0x00
0x2E	Query Automatic reset when power on	B3=0x00 B4=0x00
0x30	Query CAN destination address	B3=0x00 B4=0x00
0x70	Query multicast channel 1 address	B3=0x00 B4=0x00
0x71	Query multicast channel 2 address	B3=0x00 B4=0x00
0x72	Query multicast channel 3 address	B3=0x00 B4=0x00
0x73	Query multicast channel 4 address	B3=0x00 B4=0x00
0x3E	Query current channel address	B3=0x00 B4=0x00
0x3F	Query current version	B3=0x01 B4=0x09, above is just an example, if the response parameter is the same as above parameter, it means the current version is V1.9, see the version number on the label for details
0x4A	Query motor status	B3=0x00 B4=0x00

Note: After version V1.8, the software sub-version and the main version are merged into one

command

c: Valve action command (common command) (B2~B4)

Command Code B2	Command Instruction	Parameter Instructions (B3, B4)
0x44	The motor rotates through the code disc, and select the best path automatically	According to the actual number of ports of the injector valve, such as a 10-port injector valve, B3=0xXX B4=0x00,the value range of XX is 01 ~ 0A, Note: 6-port State1 1-6 connected 8-port State1 1-2 connected 10-port State1 1-2 connected
0x45	Reset	B3=0x00 B4=0x00 Injector valve turns to state 2
0x4F	Reset on origin position	B3=0x00 B4=0x00 Injector valve runs to the encoder origin position, overlaps the position reset by the 0x45 command
0x49	Forced stop	B3=0x00 B4=0x00

Example 1, 0x44: Multi-port position switching

(1) Current position: Reset Position

Target: Position A, Port 1 is connected with Port 6

Command: 0x44 Parameter: 0x01

After send commands, valve will switch port position, as shown in below Figure 3-1

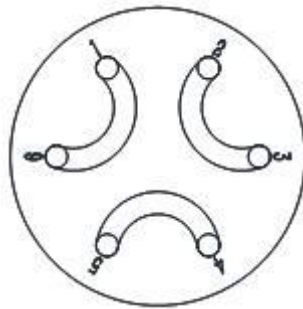


Figure 3-1

(2) Current position: Reset Position

Target: Position B, Port 1 is connected with Port 2

Command: 0x44 Parameter: 0x02

After send commands, valve will switch port position, as shown in below Figure 3-2

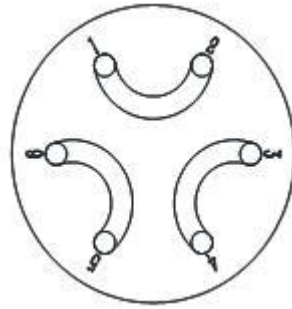


Figure 3-2

Sum check (B6, B7)

Item	Instruction	Code (B6 B7)	Remark
Sum check	Sum check	0xXX 0xXX	The sum of the header to the end of the package

Note: The sum check bit of the factory command is B12, B13

Response parameters are B2 B3 B4

Figure3-2-5 Response Parameters

Command Code B2	Command Instruction	Parameter Description= B3, B4
0x00	Normal state	B3=0x00 B4=0x00 Example: When using the query command "0x3e", the response command Of B3 B4 =0x01 0x00 ~ 0x0a 0x00
0x01	Frame error	B3=0x00 B4=0x00
0x02	Parameter error	B3=0x00 B4=0x00
0x03	Optocoupler error	B3=0x00 B4=0x00
0x04	Motor busy	B3=0x00 B4=0x00
0x05	Motor stalled	B3=0x00 B4=0x00
0x06	Unknown position	B3=0x00 B4=0x00
0xFE	Task is being executed	B3=0x00 B4=0x00
0xFF	unknown error	B3=0x00 B4=0x00

Note: In RS485 communication, when sending an action command, when code B2 received FE byte means the command is received and is being executed

Note: (1) The code B2 in the response command indicates the current running state of the motor. Only when B2=0x00, the motor is in normal operation, other parameters are as shown in the above table, corresponding to different abnormal states respectively. In principle, the motor should be sent the 0X4A command to query the motor status at the end of the motor operation. Only when the B2 parameter in the response command is 00, other commands can be executed correctly.

Note: The code parameters of all the above commands are set in little-endian mode. low data stored in the low bit of the address, high data is stored in the high bit of the address.

3.4 SV04B CE Certification Recommended Circuit Diagram in Application

Since the SV04B injector valve can only exceed 500V in the surge test, if it is used in a harsh environment (such as high-voltage power, lightning strikes), then it is recommended that the user should add a surge protector to the power supply end of the SV04B to pass the 4th level (4KV).

3.4.1 Schematic Diagram of Surge Protector

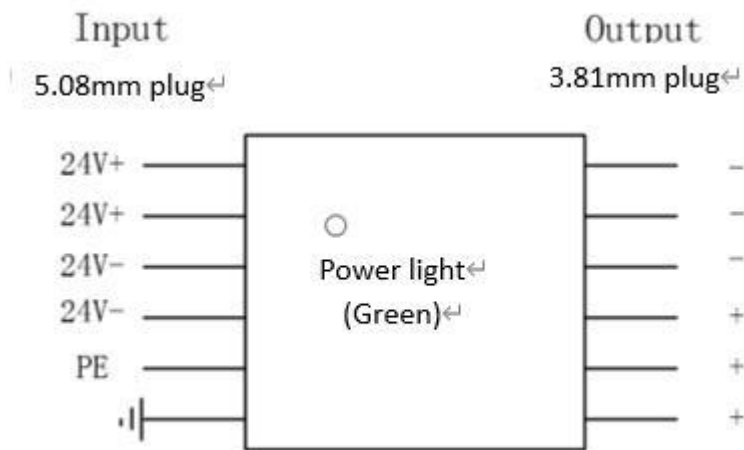
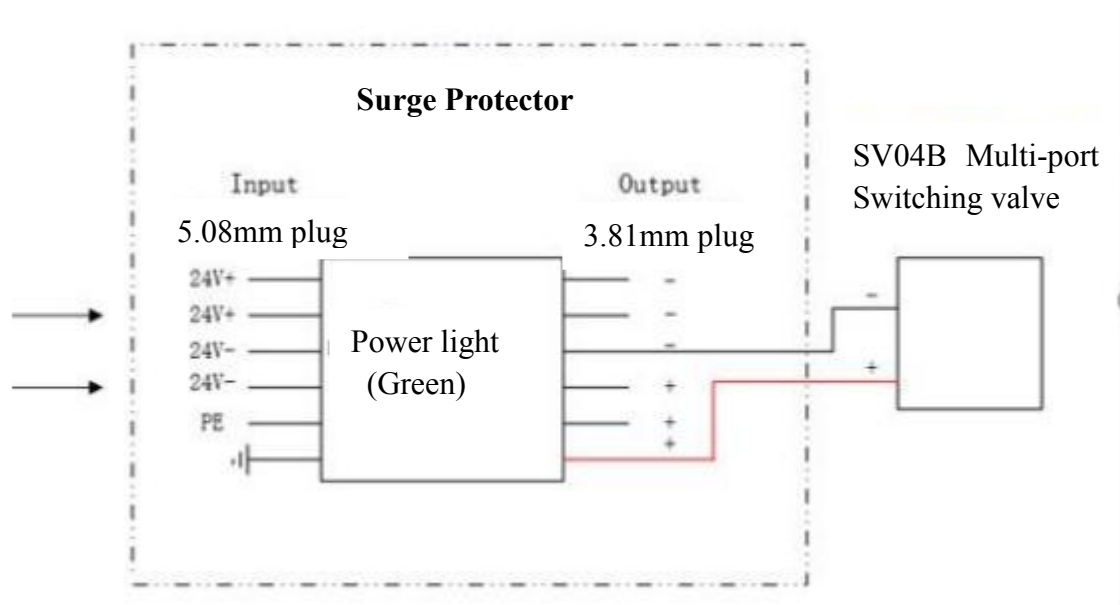


Figure 3-4-1

3.4.2 The Wiring Diagram of Surge Protector & SV04B



Chapter4 Common Problems & Solutions

Phenomenon	Possible problem	Solution
Not working when powered on	Working voltage is not within the specified range	Check whether the voltage is within the specified range
	The power connection is loose or disconnected	Check the power connection
	Working current is not within the specified range	Check whether the current is within the specified range
Not aspirating after switching	The channel is blocked by particles	Take out the pump tube and check for blocked particles
Liquid has bubbles	The connector interface is not tight	Replace suitable connector
No communication	The TX and RX lines of RS232 are connected reversely or RS485 phase A & phase B are connected reversely	Exchange the TX and RX line sequence of RS232, exchange the A B phase sequence of RS485
The communications sent and received are consistent in RS232	TX & RX are in short circuit	Check if there is a short circuit, if yes, replace the cable

Application Notice:

- ◆ Please ensure that the voltage matches the standard voltage of the instrument.
- ◆ Please use original serial port wires
- ◆ Communication RS232, RS485, CAN are under Non-isolation mode, hot swapping

unsupported.

- ◆ Please cover the unused ports with suitable coned plugs when laid aside to avoid impurity substance and air

- ◆ Do not disassemble the product parts at will. The tamper-evident label is not guaranteed.

- ◆ Please read above operation instructions and communication protocols carefully, do not input data randomly.

- ◆ Discard the instrument should be in line with the regulations on the disposal. Dispose of the waste in accordance with national environmental protection requirements. Users should not throw away at will.

- ◆ When using CAN bus protocols to connect multiple devices, please refer to the connection method shown in Figure 4-1 below.

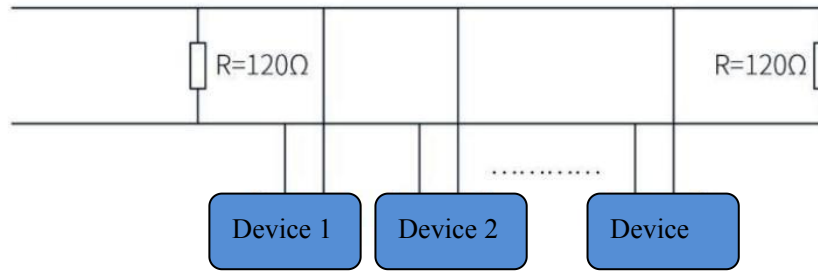


Figure 4-1

◆ When using RS485 protocol to connect multiple devices, please refer to the connection method shown in Figure 4-2 below (CAN resistance is removed)

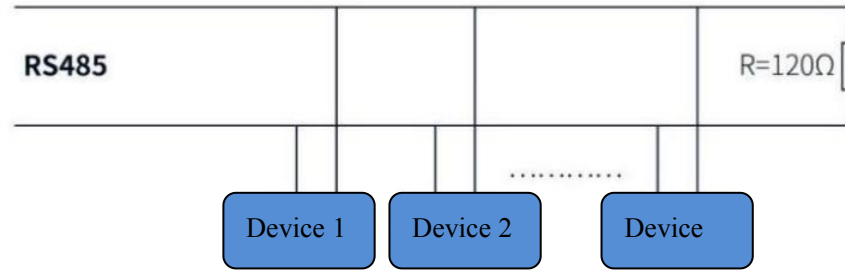


Figure 4-2



Tel : +86-25-51197362 Fax : +86-25-51197362

Phone : +86-138 5195 4068

Technical support : +86-183 5195 5944、 +86-198 2581 4316

Official URL : <http://www.runzefluid.com>

Alibaba Store URL : <https://runzeliuti.en.alibaba.com>

Sales Email : xiaoyan.xiang@runzeliuti.com

Address : NO.9 Tianxing West Road, Dongshan Street, Jiangning District,
Nanjing, Jiangsu, China



Official URL



Alibaba Store URL



Aliexpress Store URL